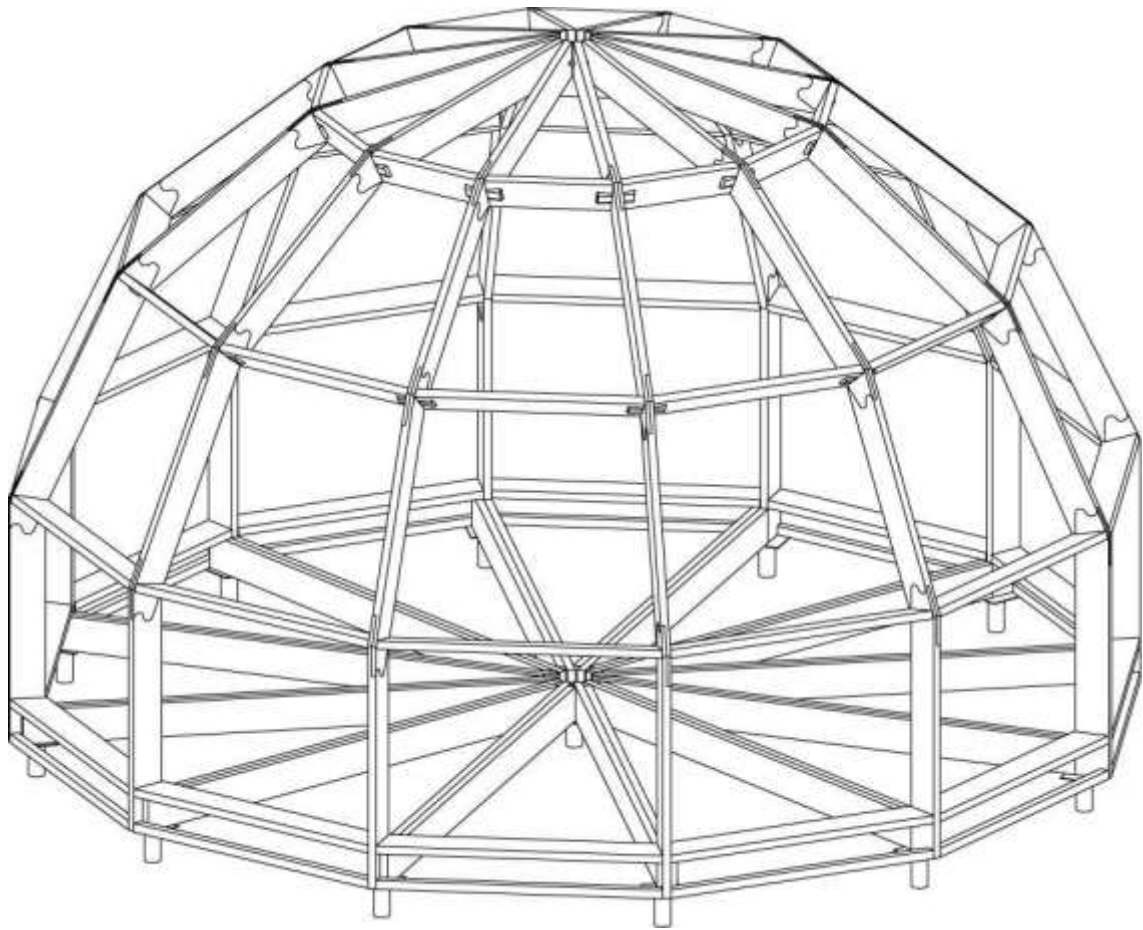


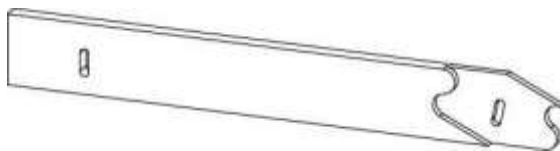
DOME
HOME
Innovative homes of the future

Z 6



Delivery set Z 6

B1 - 12 pc.



B2 - 24 pc.



B3 - 12 pc.



R1- 12 pc.



R2- 12 pc.



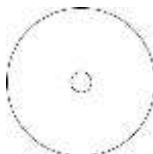
R3- 12 pc.



R4- 12 pc.



D- 1 pc.



H- 48 pc.



A foundation piles and floor lags are not included in the delivery set!

In the price for dome house is included only the framework of the dome, first floor basement joists, end joists of the second floor (for big models), timbers for window and door apertures. Screws, bolts, nuts, anchors, OSB and other fasteners in the set are not included, purchased separately by the customer.



Attention! Be sure to read this section before assembling.

Before proceeding with the assembly of the frame, prepare sawn OSB elements, 12 mm thick (map of pattern see below), a screws, a screwdriver and drills for pre-drilling under self-tapping screws. All of this you will need during assembly.

During assembly, be sure to fix a frame, securing the cladding on each assembled horizontal tier. The cladding, sawn exactly in size, is also a template for precise positioning of beams and the braces of the frame for correct convergence in the upper anchorage.

For installation of the cladding, please use galvanized screws 4,5x60 every 20 cm perimeter. To drill 3,5 mm by 30 mm deep into the frame.

To piece together the constituent elements of the cladding, consisting of several parts is required.

The frame must be fixed on metal plates on top of the pile with a bolt screw from below through the head to the vertical beam with preliminary drilling with a depth of 120-150 mm.



It is important!

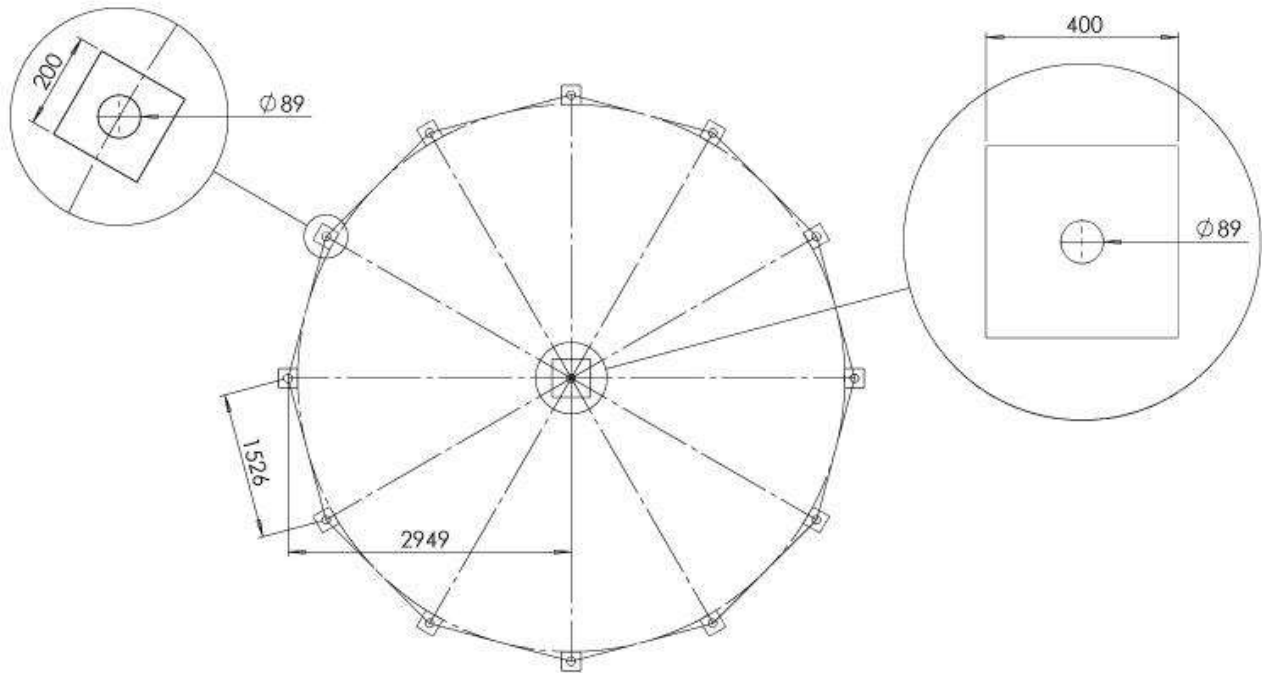
Never pick up the next horizontal tier of the frame, without securing the previous covering!

Remember that this can lead to collapse of the frame, serious injuries and even death. Strictly adhere to the assembly instructions!

For work at a height, use only specialized auxiliary equipment. Be sure to use a construction helmet, insurance and assistants.

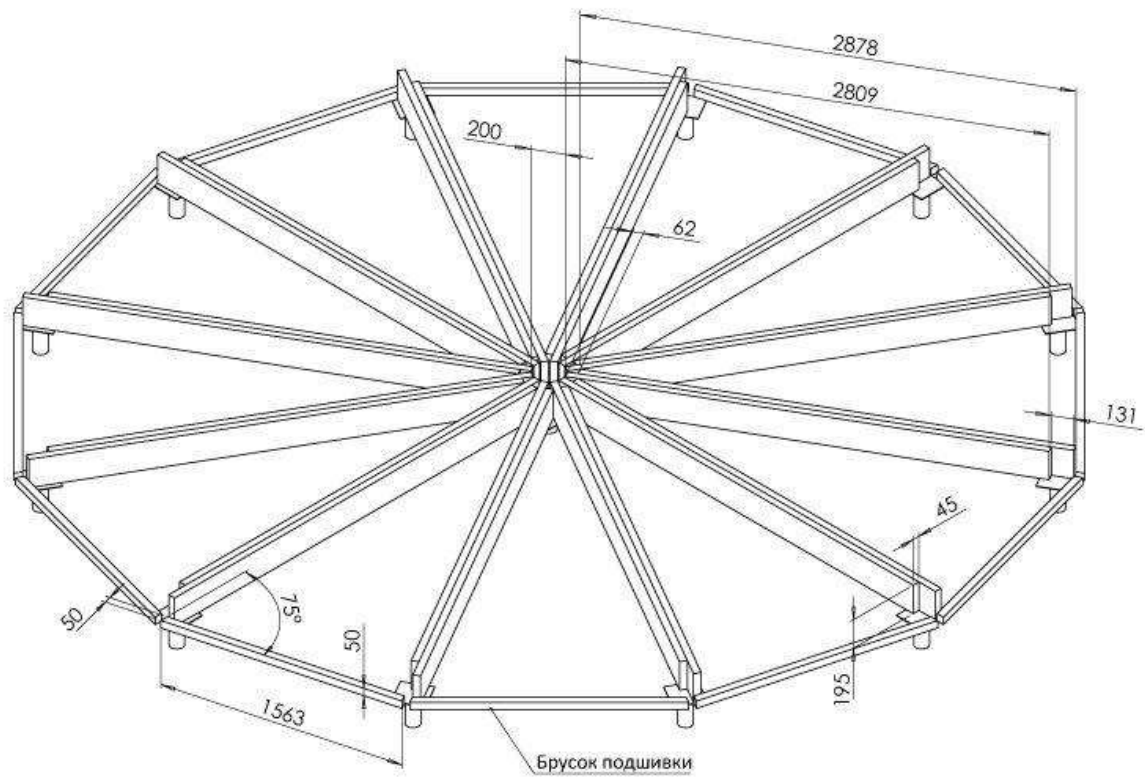
If you are not sure in your abilities, recruit specialists for installation.

Foundation - screw piles



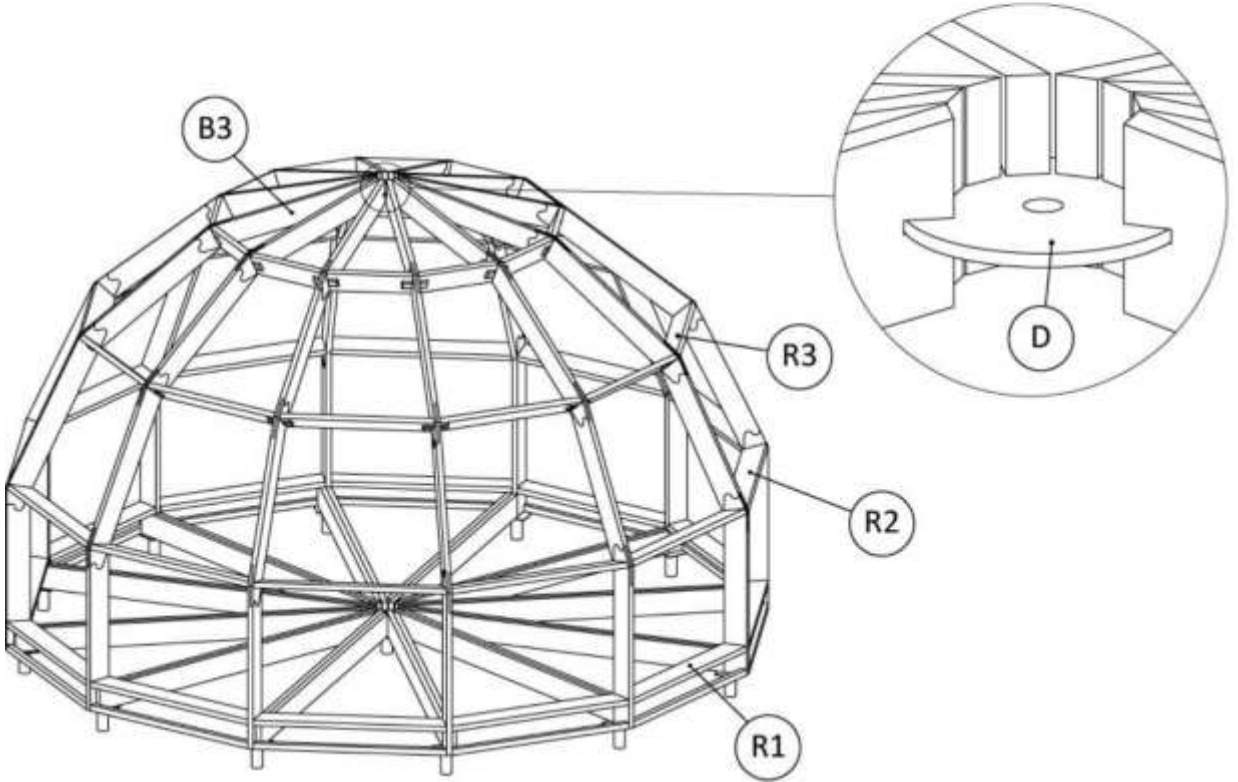
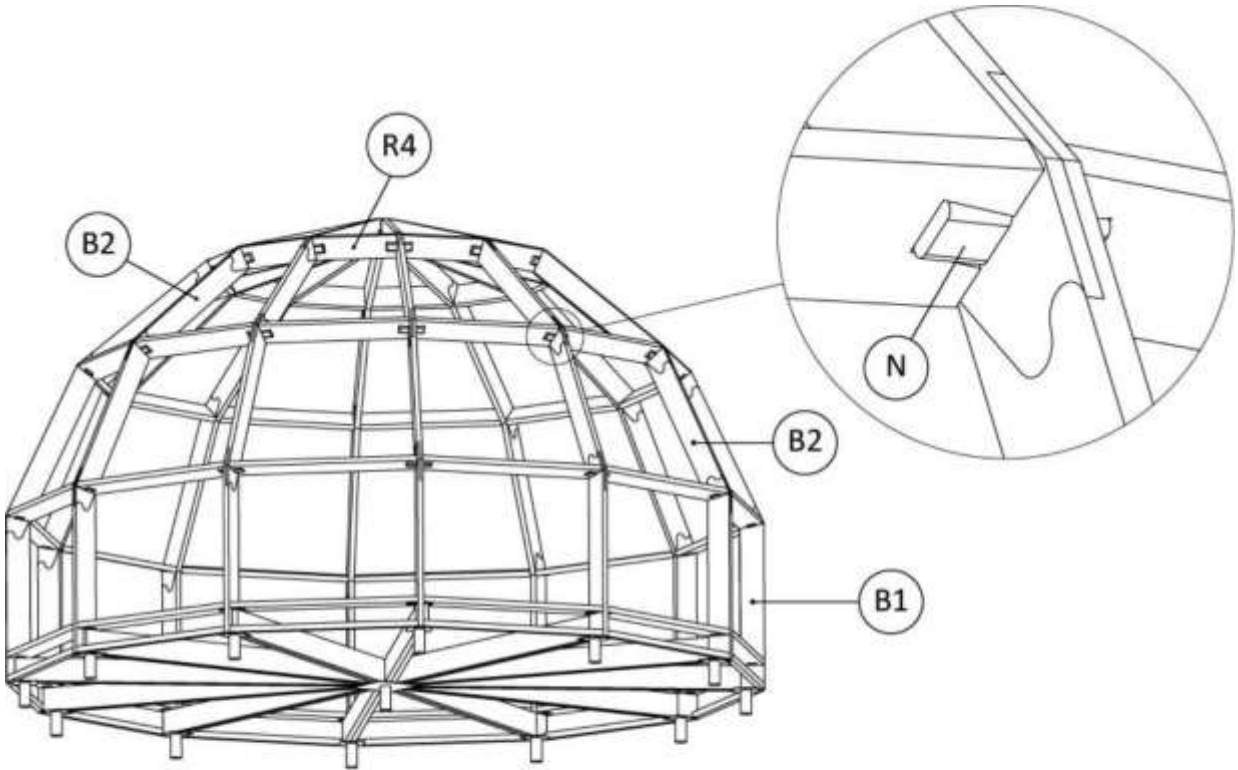
It is possible to use a band or monolithic foundation; combining of perimeter piles and concrete support in the center; other types of foundations.

Lags of the floor



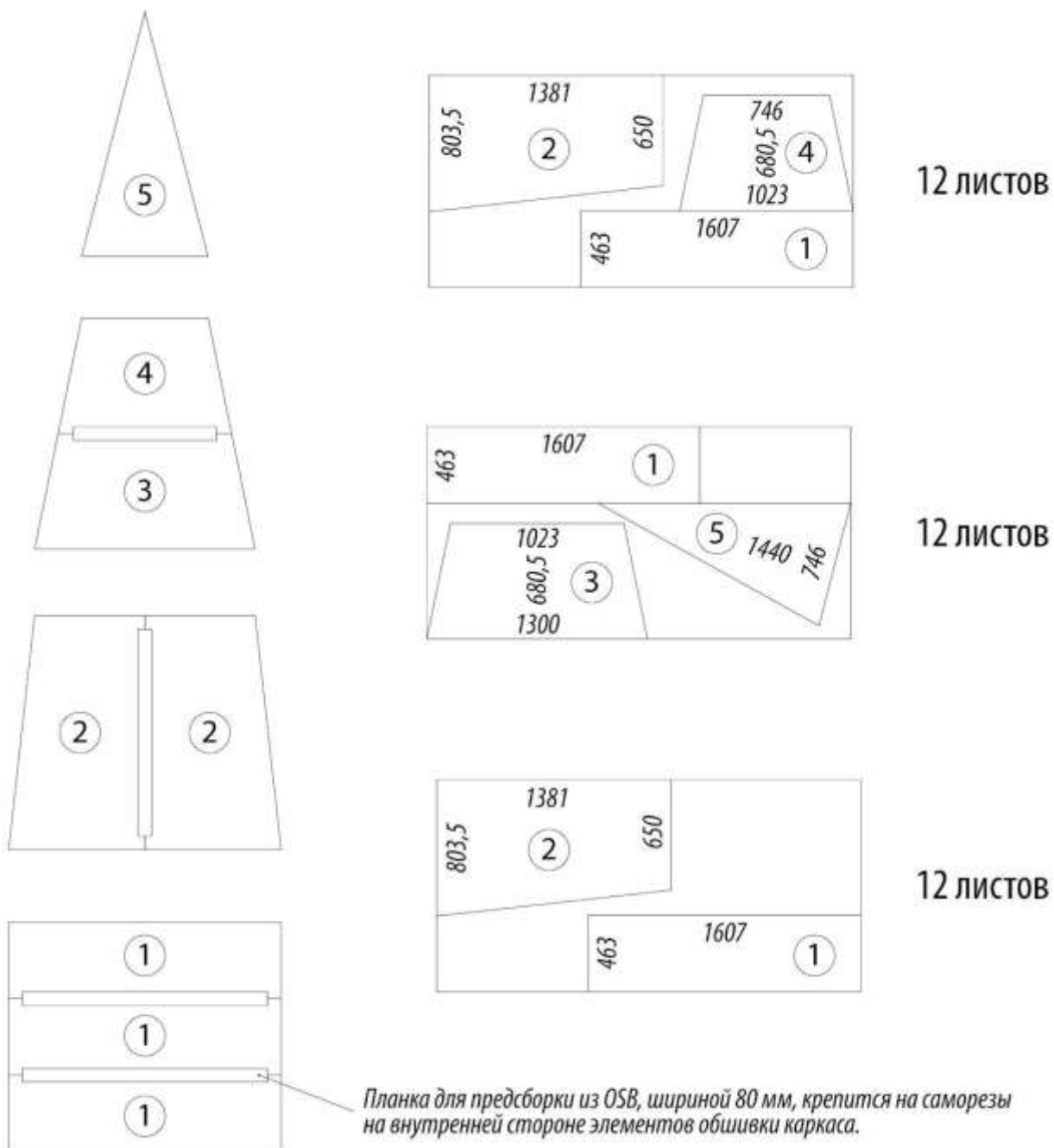
The lags of floor and flooring beams are not included in the delivery set, they are locally manufactured from dry lumber.

Mounting of nagels and peack



Sheet of frame cladding

Presented for OSB size 12x1250x2500. Trimming of the material will go to underfloor heating and for the connecting bar. In the process of connecting the composite elements by the bar, do not allow the output of the screws from the outside of the cladding - otherwise it will damage the roof! Sheathing is not included in the delivery set and it is manufactured independently.



Important notes

The constructor is made of solid wood of coniferous trees - a living, natural material.

The presence of irregularities, knots, roughness and cracks in the frame elements is acceptable, which is not a material defect and does not affect the strength of the construction.

In the price for dome house is included only the framework of the dome, first floor basement joists, end joists of the second floor (for big models), timbers for window and door apertures. Screws, bolts, nuts, anchors, OSB and other fasteners in the set are not included, purchased separately by the customer.

Features of storage and the maintenance

The constructor should be used for its intended purpose as a dome house, which is lined from the outside and roofed with a roof.

It is recommended to cover all wooden frame elements with a protective formulation, selected according to the planned operating conditions.

You should keep the constructor in a cool dry place, protected from direct sunlight and precipitation, ensuring free circulation of air around the elements, away from heat sources, high humidity and extraneous odors.

Upon request, the frame can be processed into the desired color from the catalogue Tikkurilla Valtti. This only on pre-order.

The dome house can be insulated with Paroc stone wool, Rockwool, rigid polyurethane foam, eco-friendly cellulose insulation, straw. In all cases we advice to use the protection from rodents.

The facade decoration of the doom house is performed with larch, oak, alder, aspen shingles or cheaper bituminous tiles.

The guarantee

The manufacturer sets a warranty period of one year for the constructor. At the same time, the change in the physical parameters of the designer (wood) arising from improper storage or operation is not a warranty case.

Reference information

The table shows the characteristics of the constructor Z6 for an approximate calculation of the estimate.

No	Name	Unit of meas.	Quantity
1	Total surface area	m ²	73
2	The area of the vertical part	m ²	27
3	Surface area of the dome	m ²	46
4	Quantity of OSB sheets for cladding	pieces	36